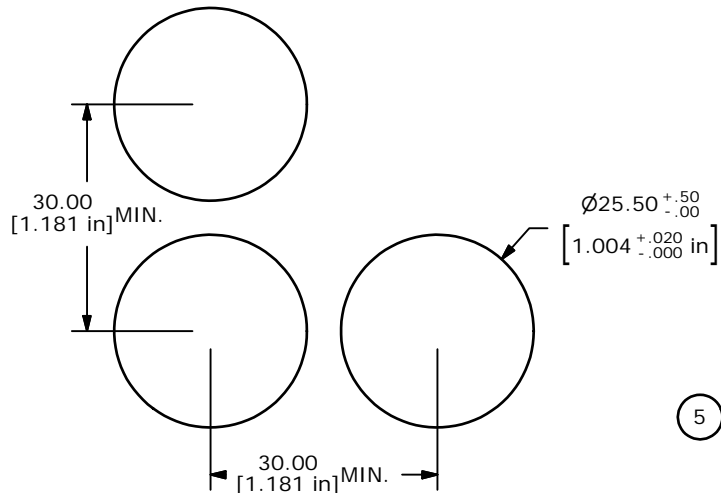
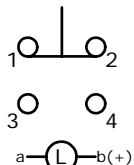


▲ Parts List

ITEM	QTY	PART NUMBER	DESCRIPTION
1	1	F060602	LASEEV110
2	1	F060251	25MM BLUE LENS SUB-ASSY (OPAQUE)
3	1	F051705	30MM FLUSH MOUNT RETAINER
4	1	F051704	30MM FLUSH MOUNT BEZEL
5	1	SUPPLIED	LED BLUE



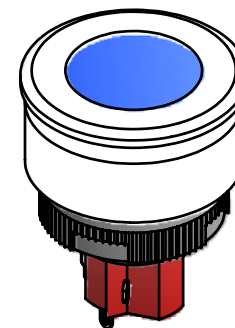
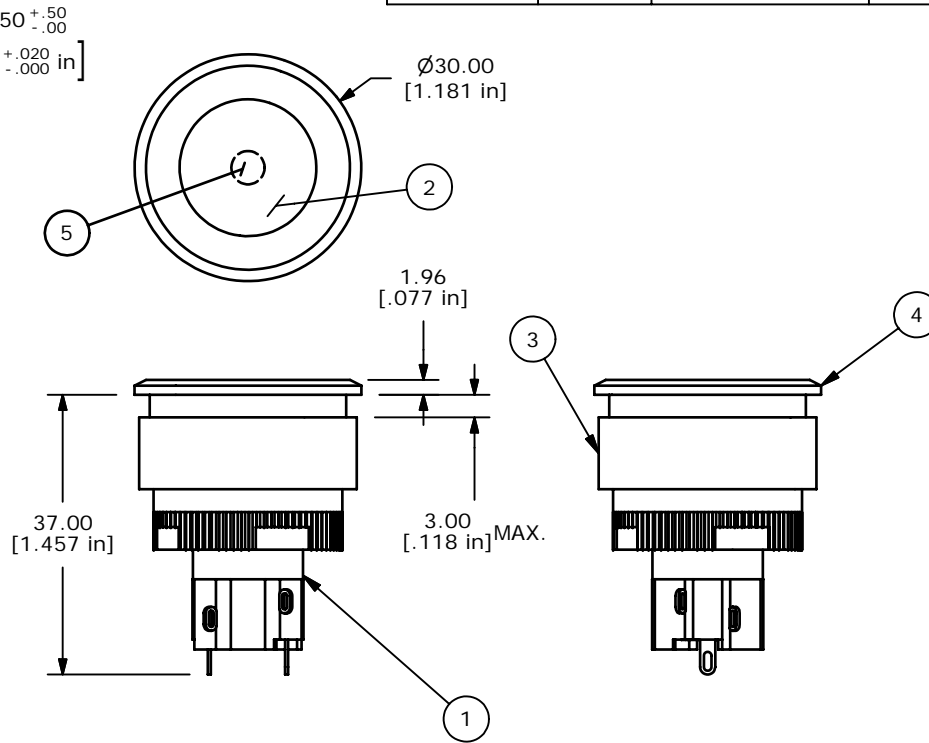
RECOMMEND PANEL MOUNTING



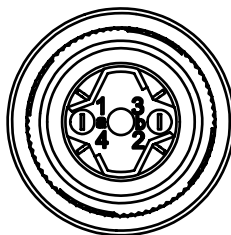
▲ SPDT
CONTACT CONFIGURATION

NOTES:

- ALL DIMENSIONS IN MM [INCH].
- GENERAL TOLERANCE: 0.0±0.4
0.00±0.25
- TERM. NOS. FOR REF. ONLY.
- RATING: 5A @250VAC
8A @125VAC
.2A @250VDC
6A @24VDC
- INSULATION: 1,000 MΩ MIN.
- DIELECTRIC STRENGTH: 2000V FOR 1 MIN.
- SEALED TO IP65.
- TRAVEL: 3.0MM FULL TRAVEL, 2.0MM LATCH
- ELECTRICAL LIFE: >50,000 CYCLES
- OPERATING TEMP: -25C TO +55C
- PANEL THICKNESS: 0.5MM TO 3.0MM
- ▲ LAMP : BLUE LED; 24 VDC
- ▲ DENOTES CRITICAL PARAMETER.
- PACKAGE: BOX/10 PER
- 2002/95/EC (ROHS) COMPLIANT



ISOMETRIC



TITLE LASEEV31KBLUBLU

A	18350	RELEASED FOR PRODUCTION	1/8/09	BLR
REV	PCR NO	DESCRIPTION	DATE	BY

SCALE	DATE	DR	DWG	REV
1:1	1/8/2009	BLR	XF0779P	A

THE INFORMATION CONTAINED IN THIS DOCUMENT IS PROPRIETARY TO E-SWITCH AND IS NOT TO BE COPIED OR TRANSFERRED